

Loud Speaker (External Magnet)

Model: LEU102S-33H3.0W8N



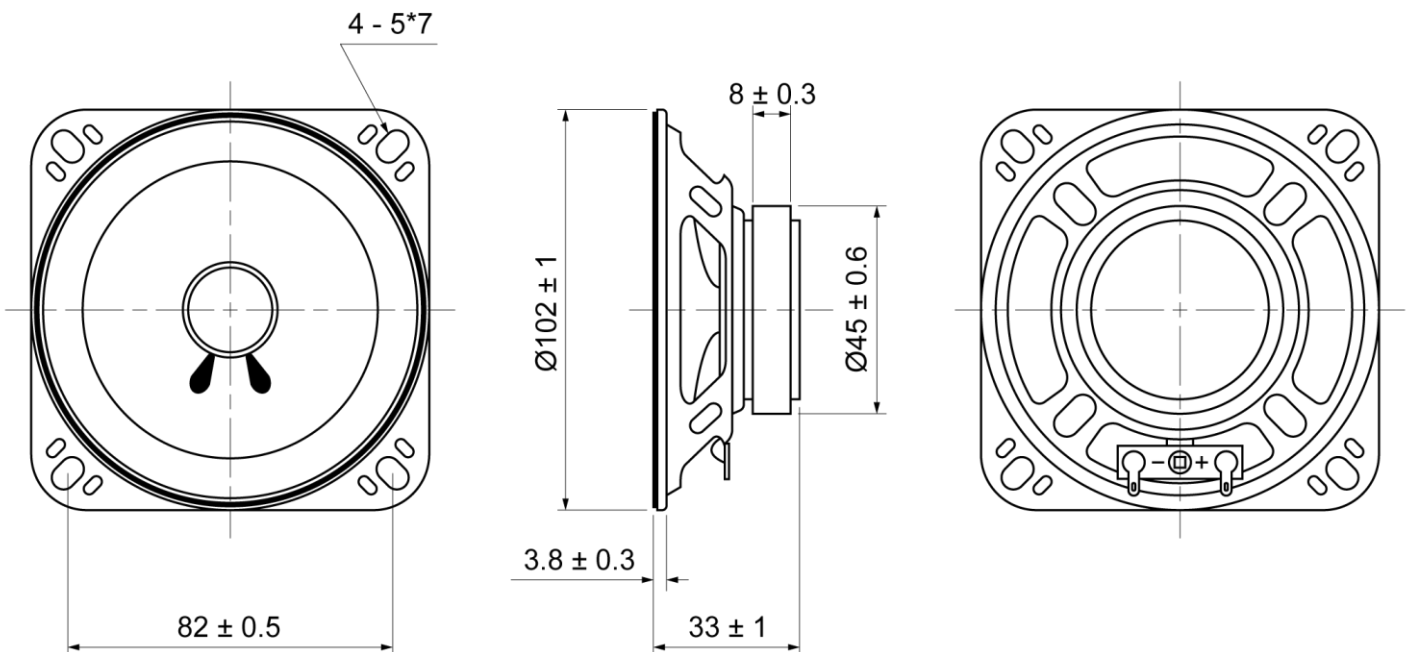
ELECTRICAL SPECIFICATIONS

	Condition	Parameter	Unit
Sound Pressure Level	at 1.0W, 1.0M [at 0.6, 0.8, 1.0, 1.2KHz]	99 ± 3	dB
Impedance	at 1V, 800Hz	8 ± 15%	Ω
Rated Input Power		3	W
Max Input Power		5	W
Resonant Frequency (Fo)	at 1V	200 ± 20%	Hz
Frequency Range		Fo ~ 20000	Hz
Buzzer & Rattles	not be audible at sine wave between Fo ~ 20KHz	4.89	V
Operating Temperature		-20 ~ 60	°C
Magnet		Ferrite	
Frame Material		Metal	
Cone Material		Paper	
Weight		173	g

MECHANICAL DRAWING

Dimensions in mm

Tolerance ±0.5mm Except Specified



Loud Speaker (External Magnet)

Model: LEU102S-33H3.0W8N

FREQUENCY RESPONSE CURVE

Name-扬声器		频率 (Hz)	左失真度	右失真度	判定项	左通道	右通道
1000	左通道	20	---	---	入模	5: ✓ T: ✓ ΔΔ: ---	---
平均灵敏度	99.97dB ✓	500	---	---	F0分档	1	---
谐振频率F01	99.74dB ✓	10000	---	---	极性	---	---
	211Hz	16000	---	---	响度分档	h	---
					通道合格	✓	---
					耳机位置	---	---
					总分格数		
总判定						GO	

